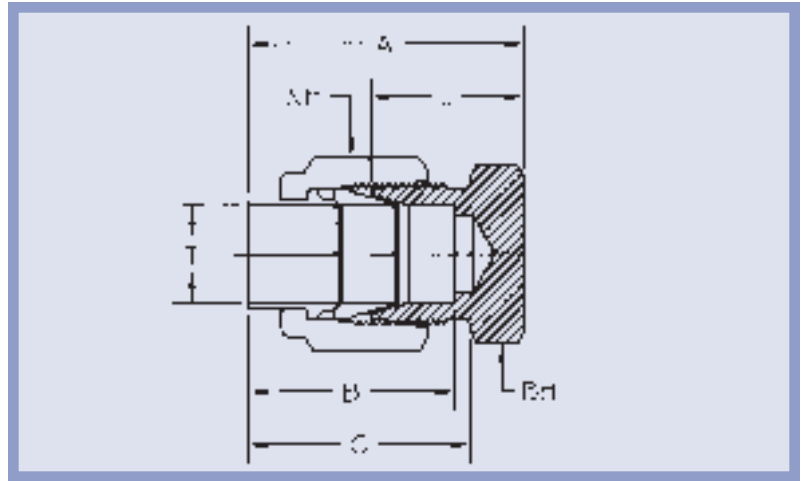
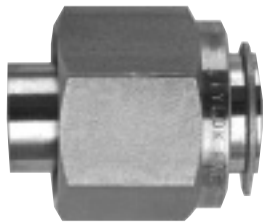


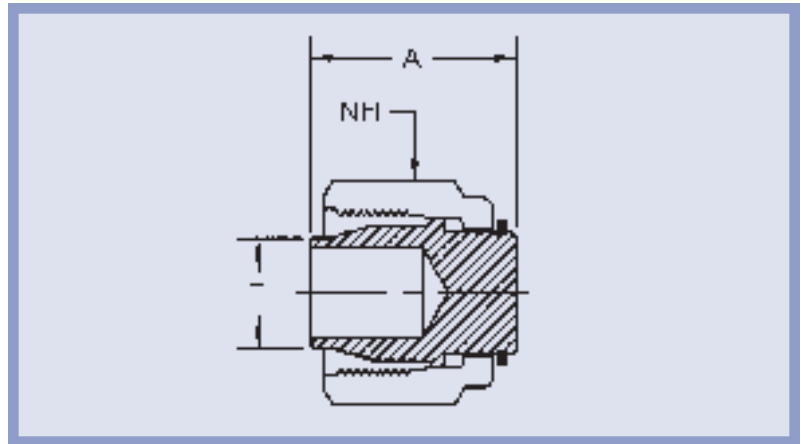
CAP



| PART NUMBER | T TUBE O.D. | A | B | C | L | BH BODY HEX | NH NUT HEX |
|-------------|-------------|-------|-------|-------|-------|-------------|------------|
| 1-1CAP | 1/16 | .828 | .609 | .670 | .500 | 5/16 | 3/8 |
| 2-1CAP | 1/8 | .969 | .640 | .765 | .578 | 7/16 | 7/16 |
| 3-1CAP | 3/16 | 1.000 | .703 | .796 | .578 | 7/16 | 1/2 |
| 4-1CAP | 1/4 | 1.156 | .796 | .906 | .672 | 1/2 | 9/16 |
| 5-1CAP | 5/16 | 1.125 | .796 | .906 | .672 | 9/16 | 5/8 |
| 6-1CAP | 3/8 | 1.265 | .937 | 1.015 | .703 | 5/8 | 11/16 |
| 8-1CAP | 1/2 | 1.421 | 1.140 | 1.140 | .781 | 13/16 | 7/8 |
| 10-1CAP | 5/8 | 1.515 | 1.203 | 1.217 | .875 | 15/16 | 1 |
| 12-1CAP | 3/4 | 1.718 | 1.250 | 1.343 | 1.031 | 1-1/8 | 1-1/4 |
| 14-1CAP | 7/8 | 1.921 | 1.453 | 1.484 | 1.093 | 1-1/4 | 1-3/8 |
| 16-1CAP | 1 | 1.921 | 1.515 | 1.484 | 1.097 | 1-3/8 | 1-1/2 |



FITTING PLUG



| PART NUMBER | T TUBE O.D. | A | NH NUT HEX |
|-------------|-------------|-------|------------|
| 1-1F PLUG | 1/16 | .642 | 3/8 |
| 2-1F PLUG | 1/8 | .580 | 7/16 |
| 3-1F PLUG | 3/16 | .617 | 1/2 |
| 4-1F PLUG | 1/4 | .602 | 9/16 |
| 5-1F PLUG | 5/16 | .645 | 5/8 |
| 6-1F PLUG | 3/8 | .785 | 11/16 |
| 8-1F PLUG | 1/2 | .929 | 7/8 |
| 10-1F PLUG | 5/8 | .979 | 1 |
| 12-1F PLUG | 3/4 | 1.137 | 1-1/4 |
| 14-1F PLUG | 7/8 | 1.093 | 1-3/8 |
| 16-1F PLUG | 1 | 1.092 | 1-1/2 |

*NOTE: All dimensions subject to change, to be used for reference only.